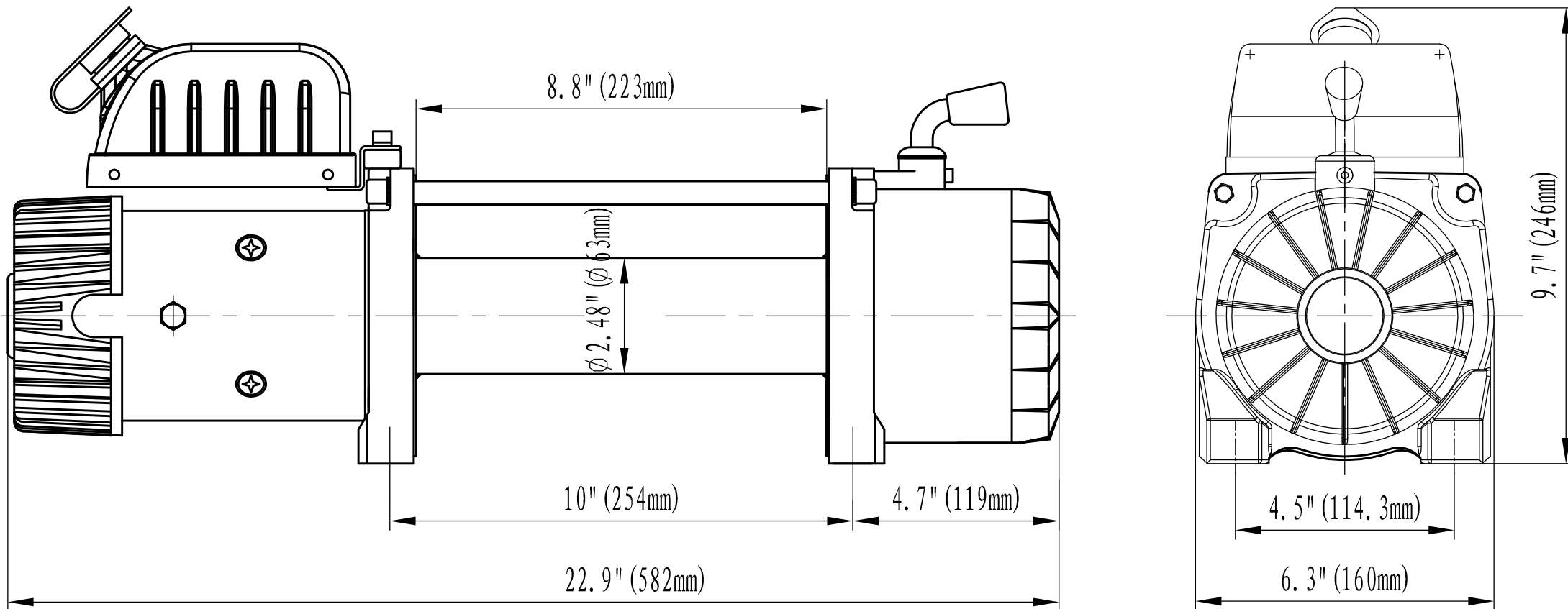




C2500 EN TECHNICAL DIAGRAM



VALUE WITHOUT COMPROMISE