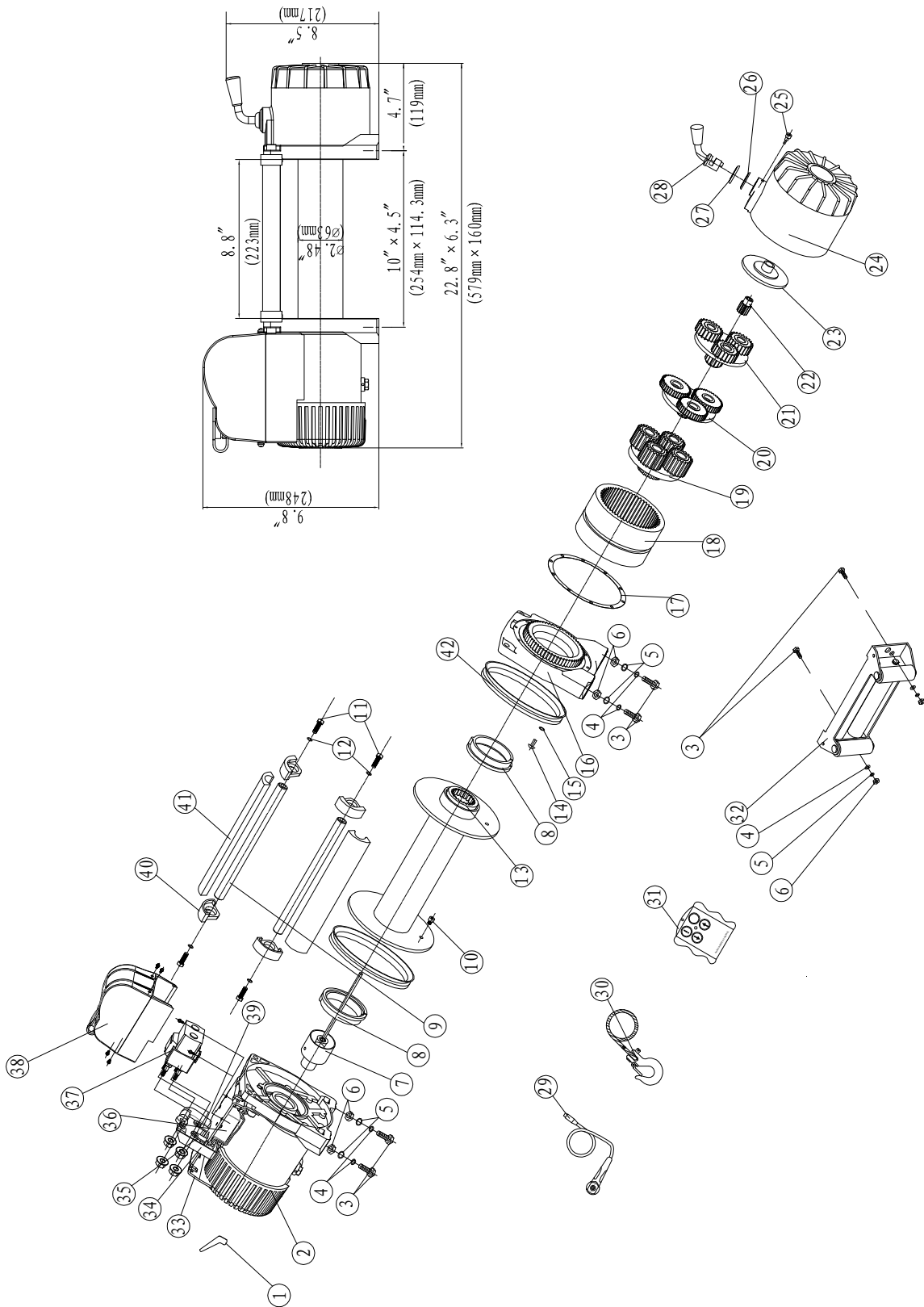




# Samurai 2500EN Winch Assembly Drawing



## WINCH PARTS LIST (S2500EN)

No.	Part #	Qty	Description	Remark
1	250001	1	Terminal Protect	
2	250100	1	Motor Assembly	
3	250002	6	Cap Screw M10 x 35	
4	250003	6	Lock Washer Φ10	
5	250004	6	Think Flat Washer Φ10	
6	250005	6	HeX Flange Nut M10	
7	250200	1	Break / Shaft Assembly	
8	250006	2	Bushing—Drum	
9	250007	2	Tie Bar	
10	250008	1	Cap Screw M6 x 10	
11	250009	4	Think Flat Washer Φ8	
12	250010	4	Cap Screw M8 x 30	
13	250300	1	Drum Assembly	
14	250011	10	Screw M4 x 25	
15	250012	10	Lock Washer Φ4	
16	250013	1	End Bearing	
17	250014	1	Gasket	
18	250015	1	Gear—Ring	
19	250400	1	Gear Carrier Assembly (Input)	
20	250500	1	Gear Carrier Assembly (Intermediate)	
21	250600	1	Gear Carrier Assembly (Output)	
22	250016	1	Gear—Input Sun	
23	250017	1	Trust Washer	
24	250018	1	Gear—Housing	
25	250019	1	Clutch Screw	
26	250020	1	Ring Seals	
27	250021	1	Clutch Cover	
28	250022	1	Clutch	
29	250RS	1	Remote Control Switch (R3)	
30	250800	1	Cable Assembly	
31	250WRS	1	Wireless Remote Control Switch	
32	250900	1	Roller Fairlead	
33	250033	1	Mounting Play	
34	250034	1	Connecting Piece	
35	250035	1	Connecting Piece	
36	251300	1	Wireless Switch Receiver	
37	251400	1	Relay With Screw Assembly	
38	251500	1	Cover With Screw Assembly	
39	250036	1	Connecting Piece	
40	250037	4	Connecting Block	
41	250038	2	Connecting Rod Sets	
42	250039	2	Ring Seals	