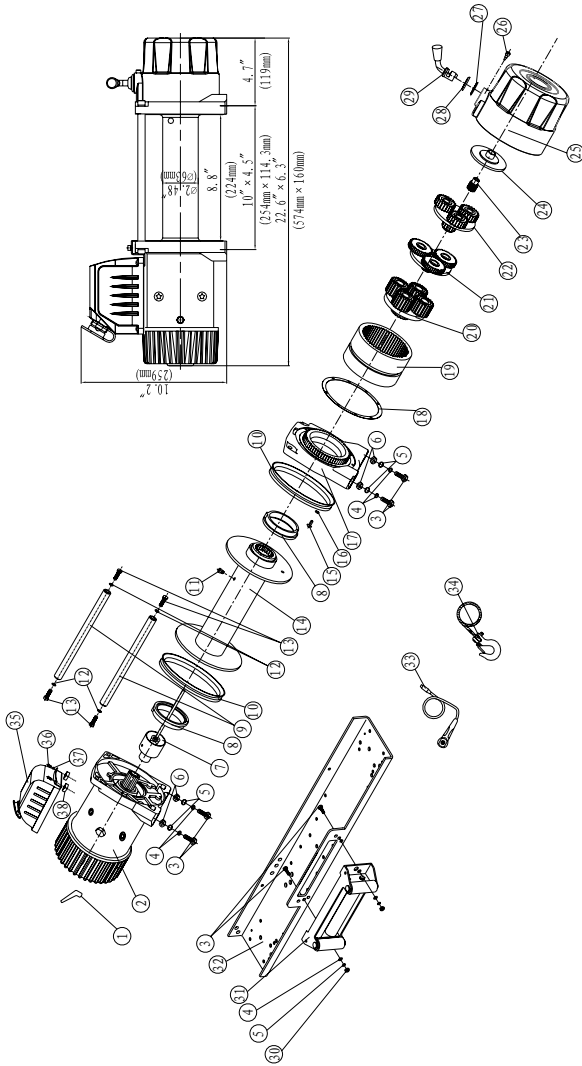




Spartan 12000 Winch Assembly Drawing



WINCH PARTS LIST

No.	Part #	Qty	Description	Remark
1	120001	3	Terminal Protect	
2	120100	1	Motor Assembly	
3	120002	6	Cap Screw M10 x 35	
4	120003	6	Lock Washer Φ 10	
5	120004	6	Thin Flat Washer Φ 10	
6	120005	4	Hex Nut M10	
7	120200	1	Break / Shaft Assembly	
8	120006	2	Bushing—Drum	
9	120007	2	Tie Bar	
10	120008	2	Ring Seals	
11	120009	1	Screw M8 x 10	
12	120010	4	Lock Washer Φ 8	
13	120011	4	Cap Screw M8 x 30	
14	120300	1	Drum Assembly	
15	120012	8	Screw M5 x 20	
16	120013	8	Lock Washer Φ 5	
17	120014	1	End Bearing	
18	120015	1	Gasket	
19	120016	1	Gear—Ring	
20	120400	1	Gear Carrier Assembly (Output)	
21	120500	1	Gear Carrier Assembly (Intermediate)	
22	120600	1	Gear Carrier Assembly (Input)	
23	120017	1	Gear—Input Sun	
24	120018	1	Trust Washer	
25	120019	1	Gear—Housing	
26	120020	1	Clutch Screw	
27	120021	1	Ring Seals	
28	120022	1	Clutch Cover	
29	120023	1	Clutch Handle	
30	120024	2	Locknut M10	
31	120700	1	Roller Fairlead	
32	120025	1	Mounting Channel	By Choice
33	120120	1	Remote Control Switch (RC3)	
34	120900	1	Cable Assembly	
35	121000	1	Control Box	
36	120026	2	Screw M5 x 16	
37	120027	2	Lock Washer Φ 5	
38	120028	2	Block	